

**LAYOUT OF SECOND FLOOR BEAM REINFORCING DETAILS**  
 SCALE = 1/6" = 1'-0"

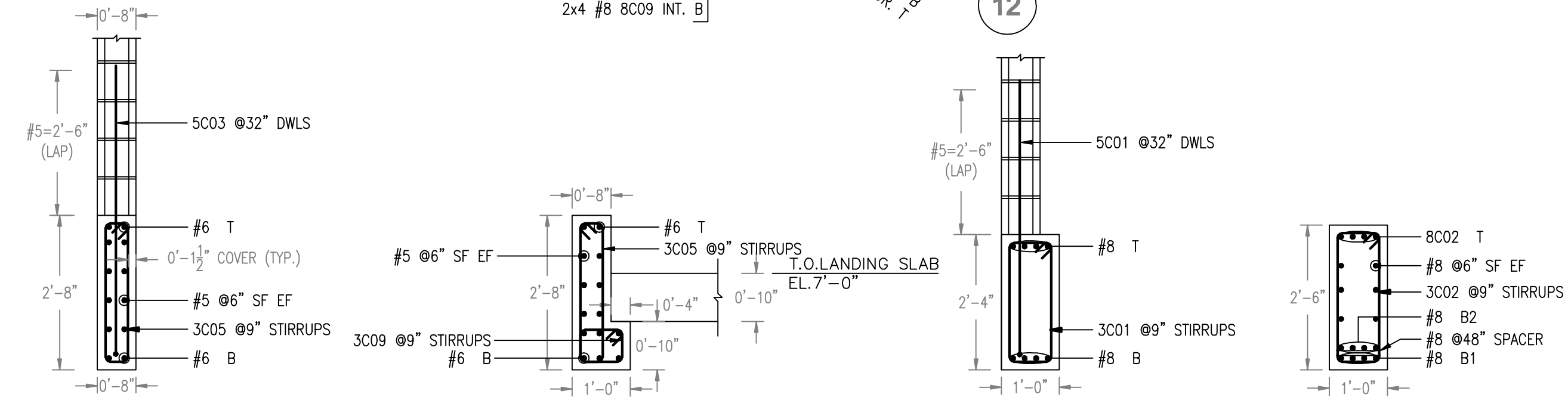
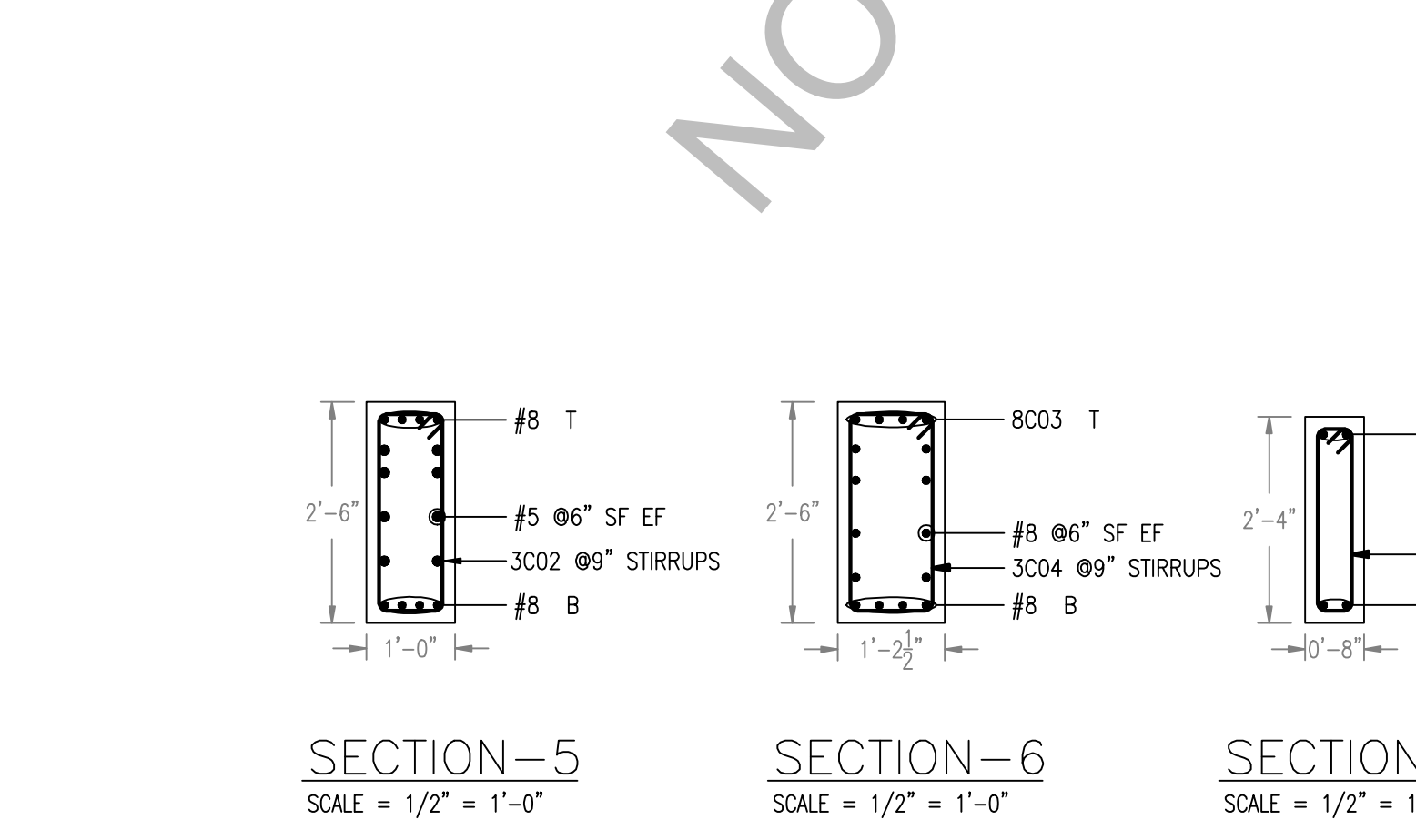
A/E/C PLEASE VERIFY THE BEAM LENGTH  
 BAR ARRANGEMENT & REINFORCEMENT DETAILED.

Drawing Sheet : R08

Bar Mark	Qty	Size	Total Length	Type	X	Y	Z	Y'	Y''	Y'''	Y''''	Y'''''	Y''''''	Y'''''''	Y''''''''
8001	4	#8	14'-6"	T	1'-4"	11'-10"									
8002	4	#8	25'-2"	T	1'-4"	19'-7"									
8003	4	#8	17'-2"	T	1'-4"	14'-11"									
8004	4	#8	23'-1"	T	1'-4"	21'-9"									
8005	4	#8	12'-7"	T	1'-4"	9'-11"									
8006	4	#8	25'-8"	T	1'-4"	24'-4"									
8007	4	#8	10'-7"	T	1'-4"	9'-3"									
8008	4	#8	28'-10"	T	1'-4"	27'-5"									
7001	2	#7	10'-9"	T	1'-2"	8'-5"									
7002	2	#7	24'-10"	T	1'-2"	22'-6"									
7003	2	#7	10'-2"	T	1'-2"	7'-10"									
3002	182	#3	6'-8"	W	0'-4"	0'-9"	2'-3"	0'-9"	2'-3"						
7004	2	#7	25'-5"	T	1'-2"	24'-3"									
5001	11	#5	5'-7"	T	0'-10"	4'-9"									
5002	4	#5	5'-9"	T	0'-10"	4'-11"									
7005	86	#7	9'-0"	T	1'-2"	4'-8"									
8001	2	#8	14'-6"	T	1'-4"	11'-10"									
7006	6	#7	18'-0"	T	1'-2"	15'-8"									
5003	108	#5	5'-10"	T	0'-10"	5'-0"									
5004	27	#5	5'-2"	T	0'-10"	4'-4"									
5005	2	#5	11'-9"	T	0'-10"	10'-1"									
3010	5	#3	5'-11"	W	0'-4"	0'-7"	2'-4"	0'-3"	2'-4"						
6002	2	#6	6'-3"	T	1'-0"	4'-3"									
6003	10	#6	8'-0"	T	1'-0"	4'-9"									
8009	28	#8	10'-11"	T	1'-4"	9'-7"									
5009	8	#5	11'-11"	T	0'-10"	10'-3"									
5007	2	#5	3'-10"	T	0'-10"	3'-0"									
5008	2	#5	12'-11"	T	0'-10"	11'-3"									
5010	2	#5	7'-9"	T	0'-10"	6'-1"									
5011	2	#5	12'-6"	T	0'-10"	10'-10"									
5012	2	#5	10'-9"	T	0'-10"	9'-11"									
7007	2	#7	9'-2"	T	1'-2"	6'-5"									
8011	2	#8	10'-3	K	3	5'-2"	5'-11"			3'-4"		3'-10"	8'-0"		
8012	2	#8	13'-3	K	3	6'-8"	6'-7"			4'-4"		5'-0"	11'-8"		
7008	2	#7	11'-8"	T	1'-2"	5'-10"	5'-10"								
8013	4	#8	13'-4"	T	1'-4"	6'-8"	6'-8"								
8014	4	#8	11'-9	K	3	6'-8"	5'-11"			2'-7"		4'-5"	11'-1"		
8010	2	#8	7'-11	K	3	4'-0"	3'-11"			2'-0"		3'-5"	7'-5"		
8011	4	#8	10'-3	K	3	4'-0"	5'-11"			2'-7"		4'-5"	9'-7"		
6006	32	#6	6'-2"	T	1'-0"	5'-1"	3'-1"								
6004	4	#6	5'-10	K	3	3'-0"	2'-9"			1'-4"		2'-5"	5'-6"		
6008	4	#6	8'-0"	T	1'-0"	4'-0"	4'-0"			2'-7"		3'-0"	7'-0"		
6009	2	#6	6'-1	K	3	3'-1"	3'-0"			1'-7"		2'-7"	5'-8"		
6007	4	#6	6'-1	K	3	3'-1"	3'-0"			2'-0"		2'-3"	5'-4"		
6001	8	#4	3'-4	T	1	0'-4"	2'-8"			2'-8"		2'-8"	5'-4"		
3001	173	#3	6'-4"	W	0'-4"	0'-9"	2'-1"	0'-9"	2'-1"						
3004	20	#3	7'-1"	W	0'-4"	0'-11"	2'-3"	0'-11"	2'-3"						
3003	144	#3	5'-8"	W	0'-4"	0'-5"	2'-1"	0'-5"	2'-1"						

Drawing Sheet : R08

Bar Mark	Qty	Size	Total Length	Type	X	Y	Z	Y'	Y''	Y'''	Y''''	Y'''''	Y''''''	Y'''''''	Y''''''''
3005	345	#3	6'-4"	W	0'-4"	0'-5"	2'-5"	0'-5"	2'-5"						
3006	124	#3	5'-0"	W	0'-4"	0'-5"	1'-9"	0'-5"	1'-9"						
3007	16	#3	9'-0"	W	0'-4"	0'-5"	3'-9"	0'-5"	3'-9"						
3008	70	#3	3'-8"	W	0'-4"	0'-5"	1'-1"	0'-5"	1'-1"						
3009	12	#3	3'-4"	W	0'-4"	0'-7"	0'-9"	0'-7"	0'-9"						
3011	11	#3	4'-8"	W	0'-4"	0'-9"	1'-3"	0'-9"	1'-3"						
3012	13	#3	3'-4"	W	0'-4"	0'-5"	0'-11"	0'-5"	0'-11"						
3013	13	#3	2'-8"	W	0'-4"	0'-7"	0'-7"	0'-7"	0'-7"						



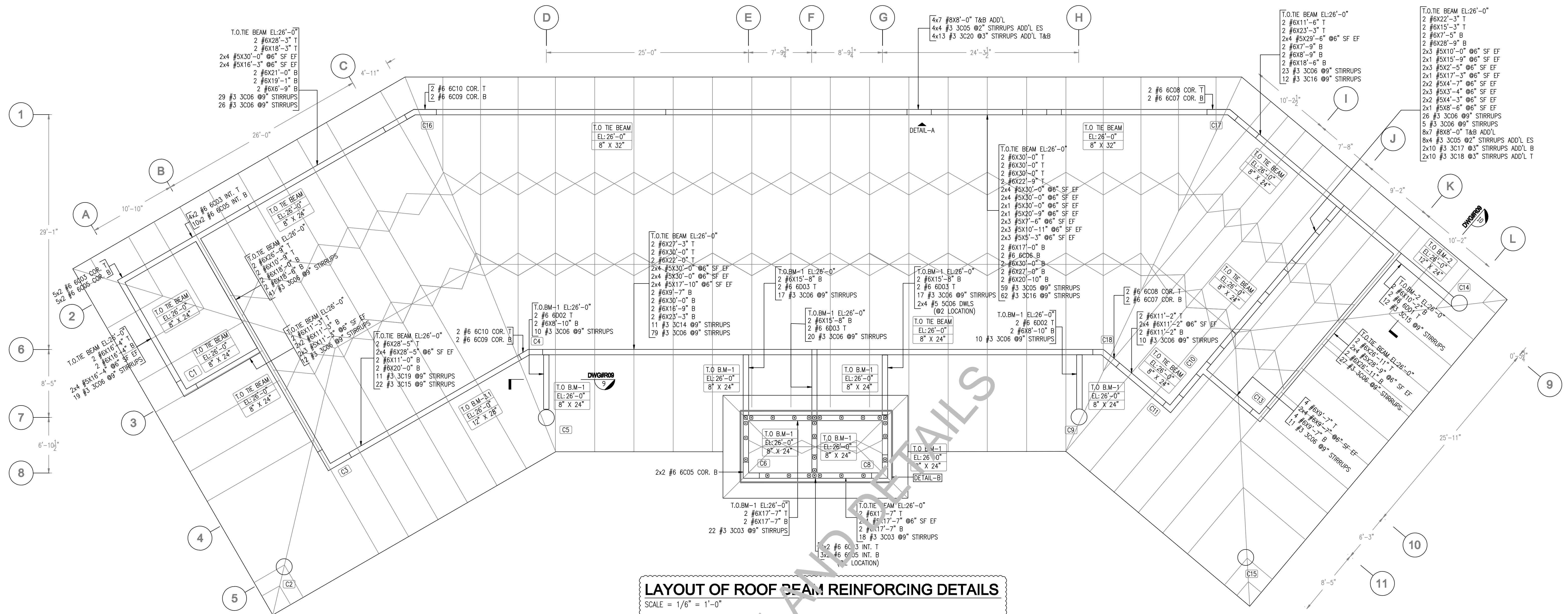
GENERAL NOTES:

COVER: STIRRUPS - 1 1/2" BEAM SIDE - 1 1/2"

LAP - 4000 PSI

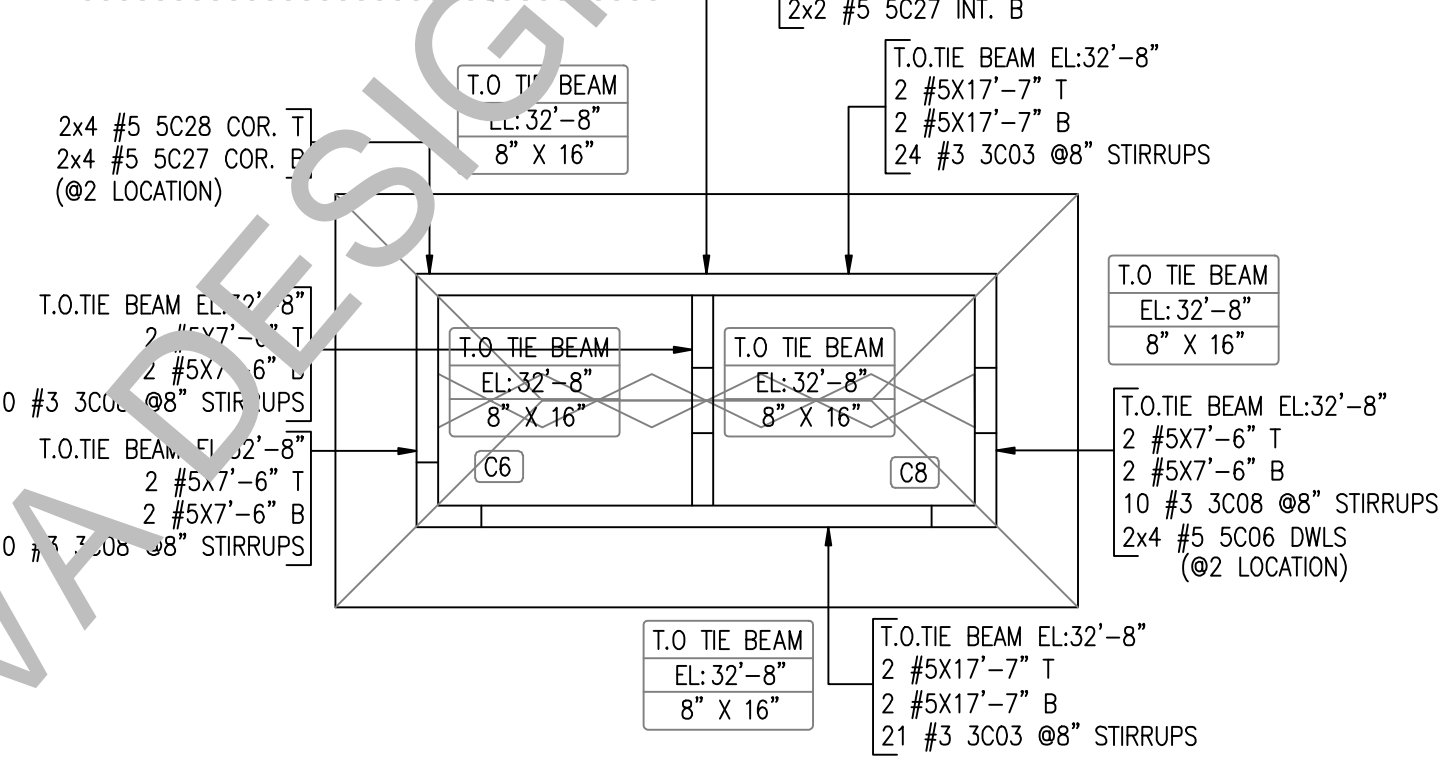
SIZE	LAP SCHEDULE FOR BEAM		LAP SCHEDULE FOR CMU
	TOP	OTHERS	
#3	25"	19"	#3 18"
#4	32"	25"	#4 24"
#5	40"	31"	#5 30"
#6	48"	37"	#6 36"
#7	70"	54"	
#8	80"	62"	

A/E/C PLEASE VERIFY COVER & LAP SCHEDULE

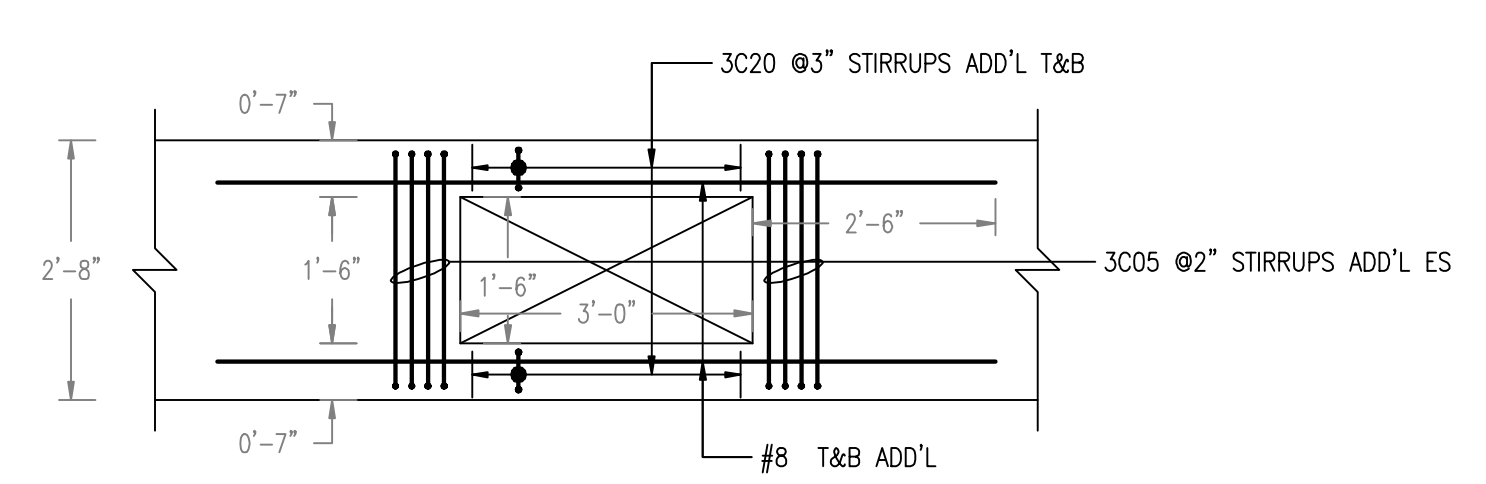


**LAYOUT OF ROOF BEAM REINFORCING DETAILS**  
SCALE = 1/6" = 1'-0"

A/E/C PLEASE VERIFY THE BEAM LENGTH  
BAR ARRANGEMENT & REINFORCEMENT DETAILED.

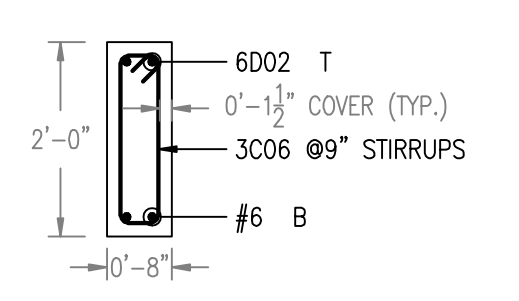
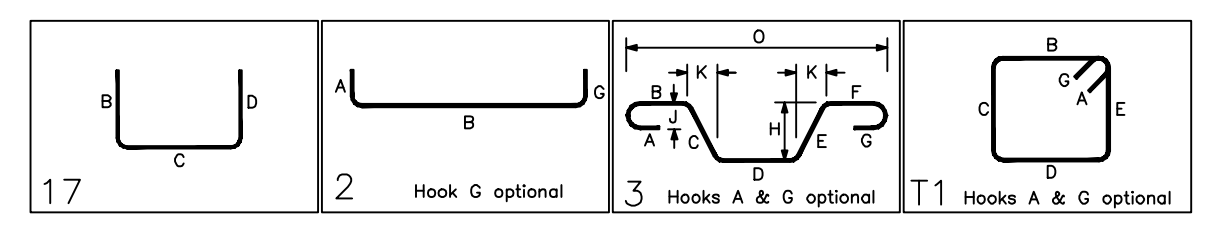


**DETAIL-B**  
SCALE = 1/6" = 1'-0"

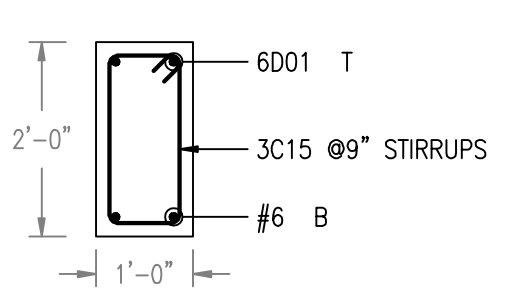


**DETAIL-A**  
SCALE = 1/2" = 1'-0"

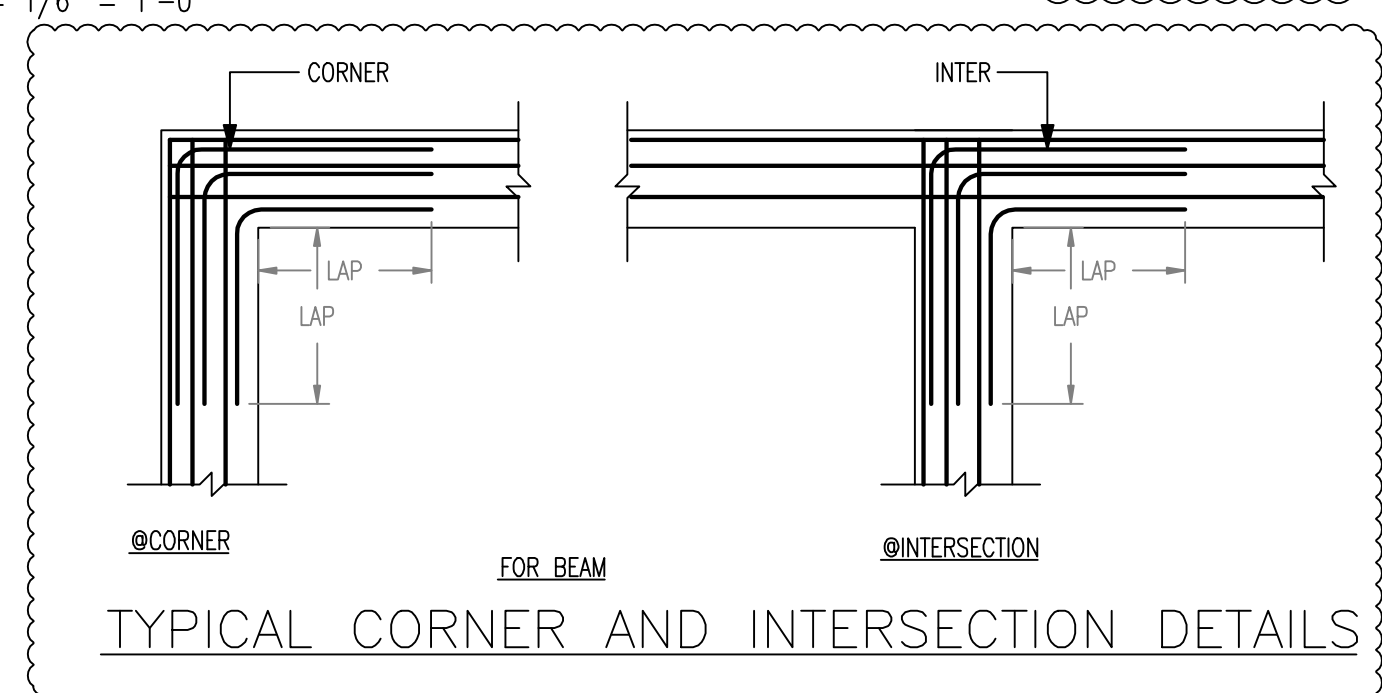
Bar Mark	Qty	Size	Total Length	Type	X	Y	Z	W	V	U	T	S	R	Q	P	O	N	M	L	K	J	I	H	G	F	E	D	C	B	A								
6003	22	#6	8'-0"	17	1'-0"	4'-0"	4'-0"																															
6001	2	#6	12'-2"	2	1'-0"	10'-2"																																
6002	4	#6	10'-10"	2	1'-0"	8'-10"																																
6003	8	#6	17'-8"	2	1'-0"	15'-8"																																
3006	16	#5	4'-8"	2	0'-10"	3'-10"																																
6010	4	#6	7'-11"	3	4'-0"	3'-11"		2'-0"		3'-5"	7'-5"																											
6005	40	#6	6'-2"	17	3'-1"	3'-1"																																
6008	4	#6	8'-0"	3	4'-0"	4'-0"		2'-7"		3'-0"	7'-0"																											
6009	4	#6	6'-1"	3	3'-1"	3'-0"		1'-7"		2'-7"	5'-8"																											
6007	4	#6	6'-1"	3	3'-1"	3'-0"		2'-0"		2'-3"	5'-4"																											
6006	2	#6	18'-0"	2	1'-0"	17'-0"																																
5207	12	#5	5'-2"	17	2'-7"	2'-7"																																
5208	12	#5	6'-5"	17	3'-4"	3'-4"																																
3003	85	#3	5'-8"	11	0'-4"	0'-5"	2'-1"	0'-5"	2'-1"		0'-4"																											
3005	107	#3	6'-4"	11	0'-4"	0'-5"	2'-5"	0'-5"	2'-5"		0'-4"																											
3006	382	#3	5'-0"	11	0'-4"	0'-5"	1'-9"	0'-5"	1'-9"		0'-4"																											
3008	30	#3	3'-8"	11	0'-4"	0'-5"	1'-1"	0'-5"	1'-1"		0'-4"																											
3014	11	#3	8'-4"	11	0'-4"	0'-5"	3'-5"	0'-5"	3'-5"		0'-4"																											
3015	34	#3	5'-8"	11	0'-4"	0'-9"	1'-9"	0'-9"	1'-9"		0'-4"																											
3016	74	#3	7'-0"	11	0'-4"	0'-5"	2'-9"	0'-5"	2'-9"		0'-4"																											
3017	20	#3	3'-0"	11	0'-4"	0'-5"	0'-9"	0'-5"	0'-9"		0'-4"																											
3018	20	#3	2'-8"	11	0'-4"	0'-5"	0'-4"	0'-5"	0'-4"		0'-4"																											
3019	11	#3	9'-0"	11	0'-4"	0'-9"	3'-5"	0'-9"	3'-5"		0'-4"																											
3020	52	#3	2'-2"	11	0'-4"	0'-5"	0'-4"	0'-5"	0'-4"		0'-4"																											



**SECTION-9**  
SCALE = 1/2" = 1'-0"



**SECTION-10**  
SCALE = 1/2" = 1'-0"



**TYPICAL CORNER AND INTERSECTION DETAILS**

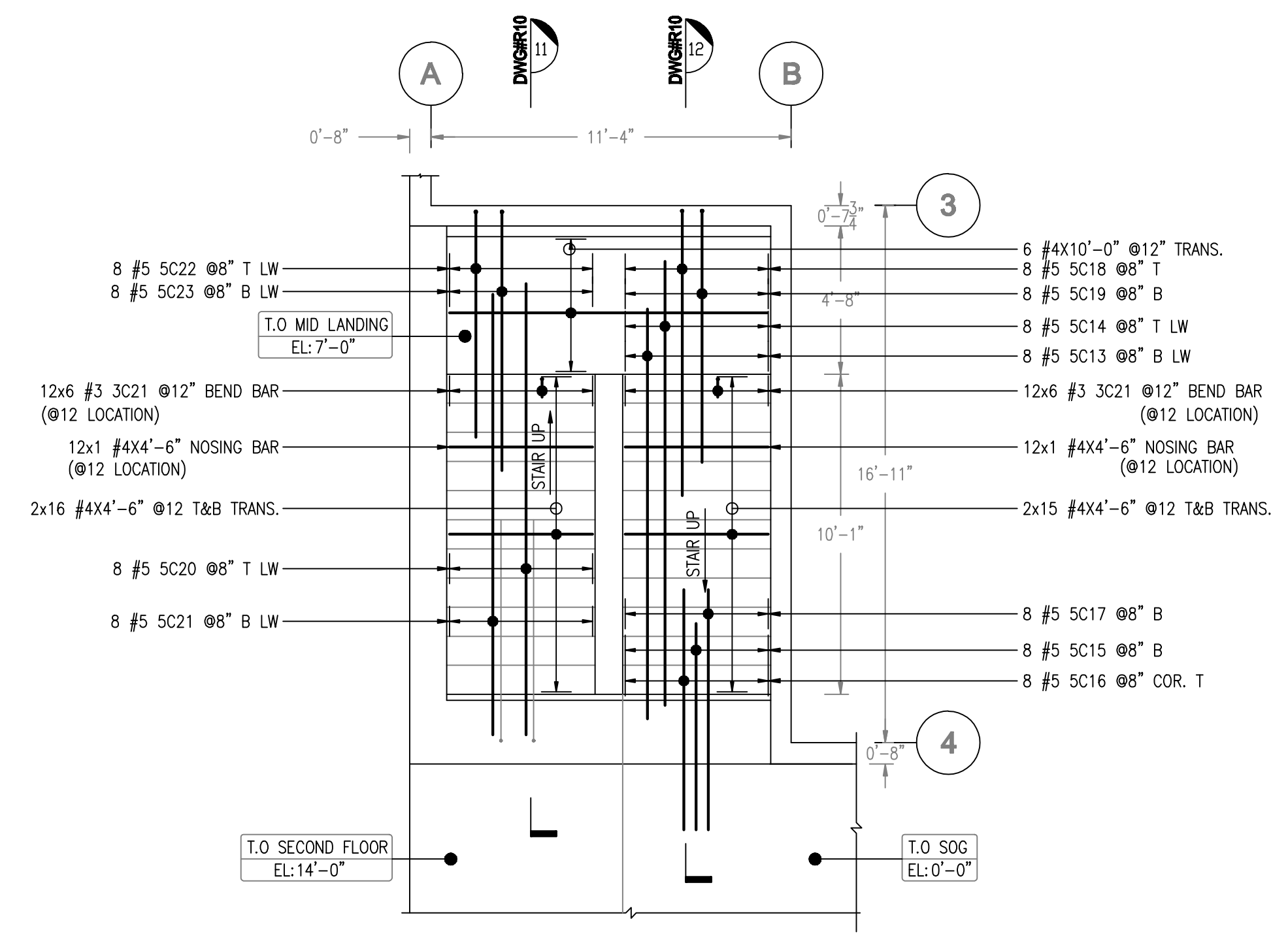
**GENERAL NOTES:**

COVER: STIRRUPS - 1 1/2" BEAM SIDE - 1 1/2"

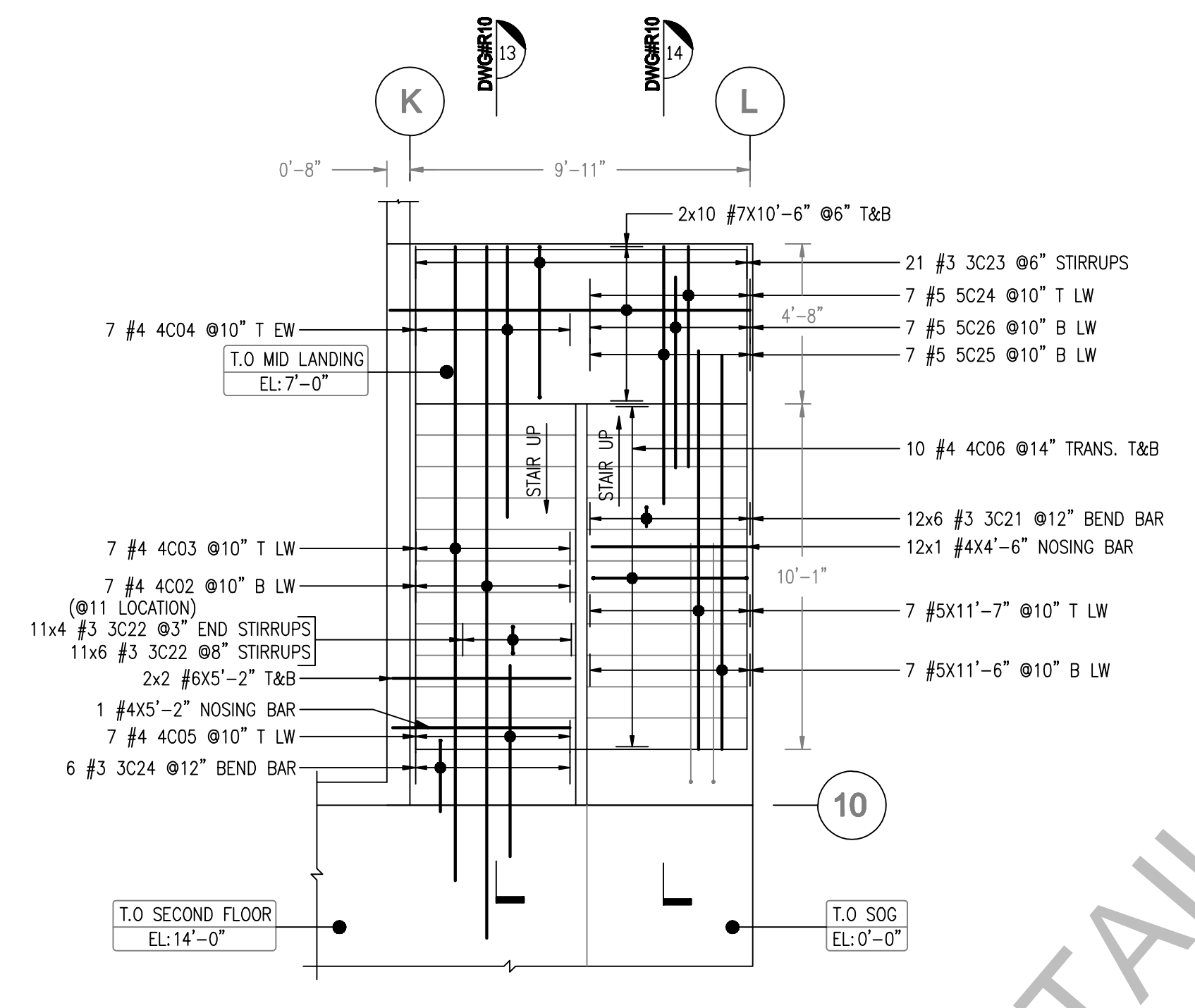
LAP - 4000 PSI

LAP SCHEDULE FOR BEAM			LAP SCHEDULE FOR CMU	
SIZE	TOP	OTHERS	SIZE	LAP LENGTH
#3	25"	19"	#3	18"
#4	32"	25"	#4	24"
#5	40"	31"	#5	30"
#6	48"	37"	#6	36"
#7	70"	54"		
#8	80"	62"		

A/E/C PLEASE VERIFY COVER & LAP SCHEDULE



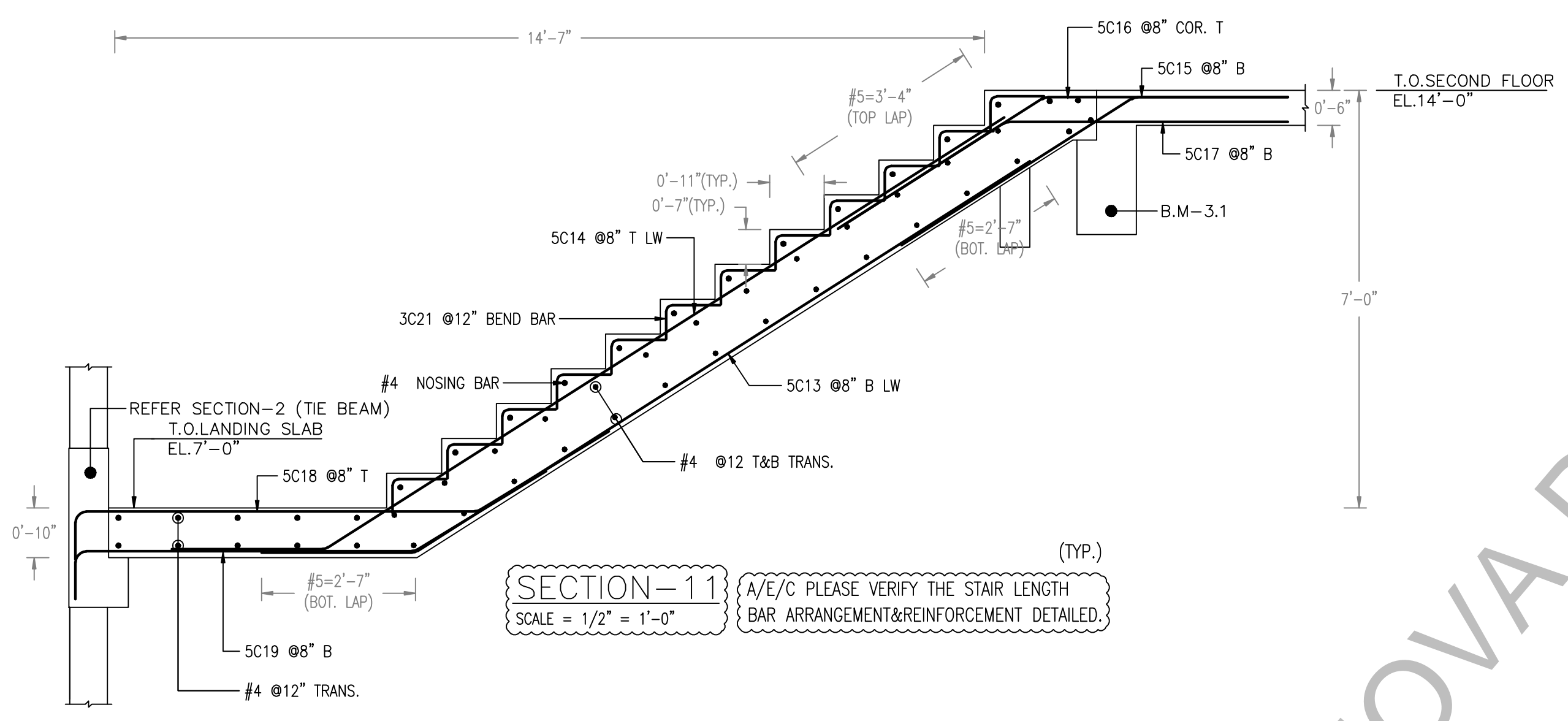
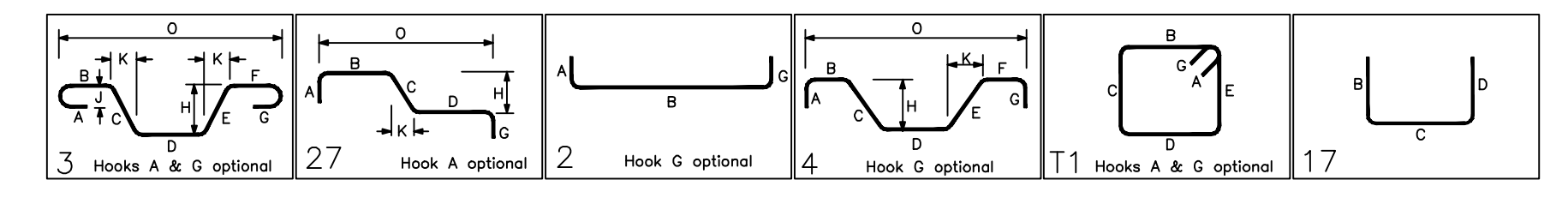
**DETAIL-C**  
SCALE = 1/4" = 1'-0"



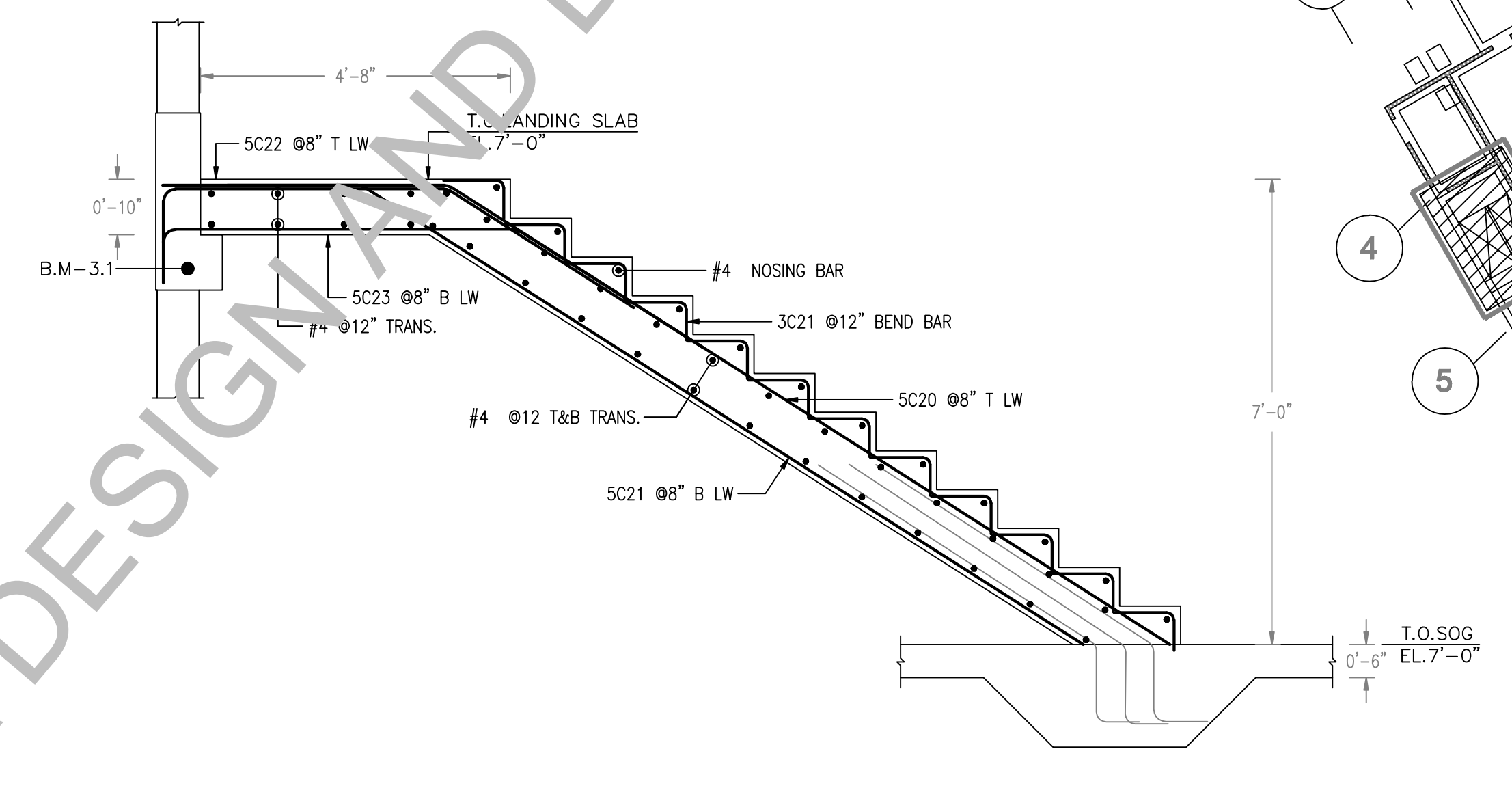
**DETAIL-D**  
SCALE = 1/4" = 1'-0"

Drawing Sheet : 810

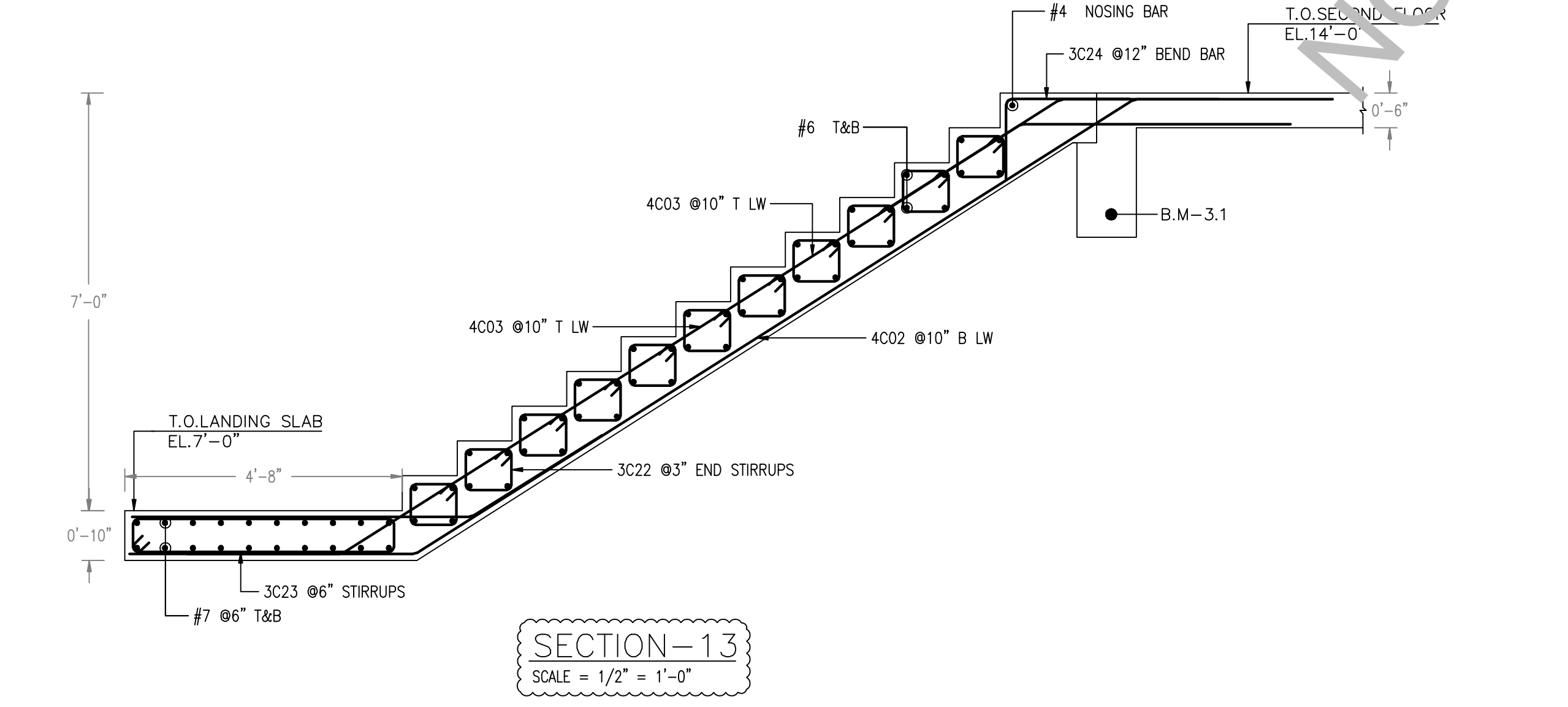
Bar Mark	Qty	Size	Total Length	Type	X	Y	Z	W	V	U	T	S	R	Q	P	O	N	M	L	K	J	I	H	G	F	E	D	C	B	A
SC17	8	#5	8'-0"	3																										
SC16	8	#5	8'-2"	3																										
SC19	8	#5	9'-1"	27																										
SC18	8	#5	10'-2"	27																										
SC25	8	#5	7'-2"	3																										
SC13	8	#5	14'-9"	3																										
SC14	8	#5	16'-0"	3																										
4C06	10	#4	5'-10"	2																										
4C04	7	#4	8'-3"	3																										
4C05	7	#4	6'-1"	3																										
SC25	7	#5	8'-0"	3																										
SC28	7	#5	6'-1"	3																										
SC24	7	#5	6'-11"	3																										
SC21	8	#5	15'-10"	3																										
SC20	8	#5	16'-2"	3																										
SC22	8	#5	6'-5"	4																										
SC23	8	#5	9'-8"	4																										
4C02	7	#4	22'-4"	3																										
4C03	7	#4	20'-7"	3																										
SC22	110	#3	3'-0"	11																										
SC23	2	#3	10'-2"	11																										
SC24	8	#3	3'-5"	17																										
SC21	216	#3	1'-8"	17																										



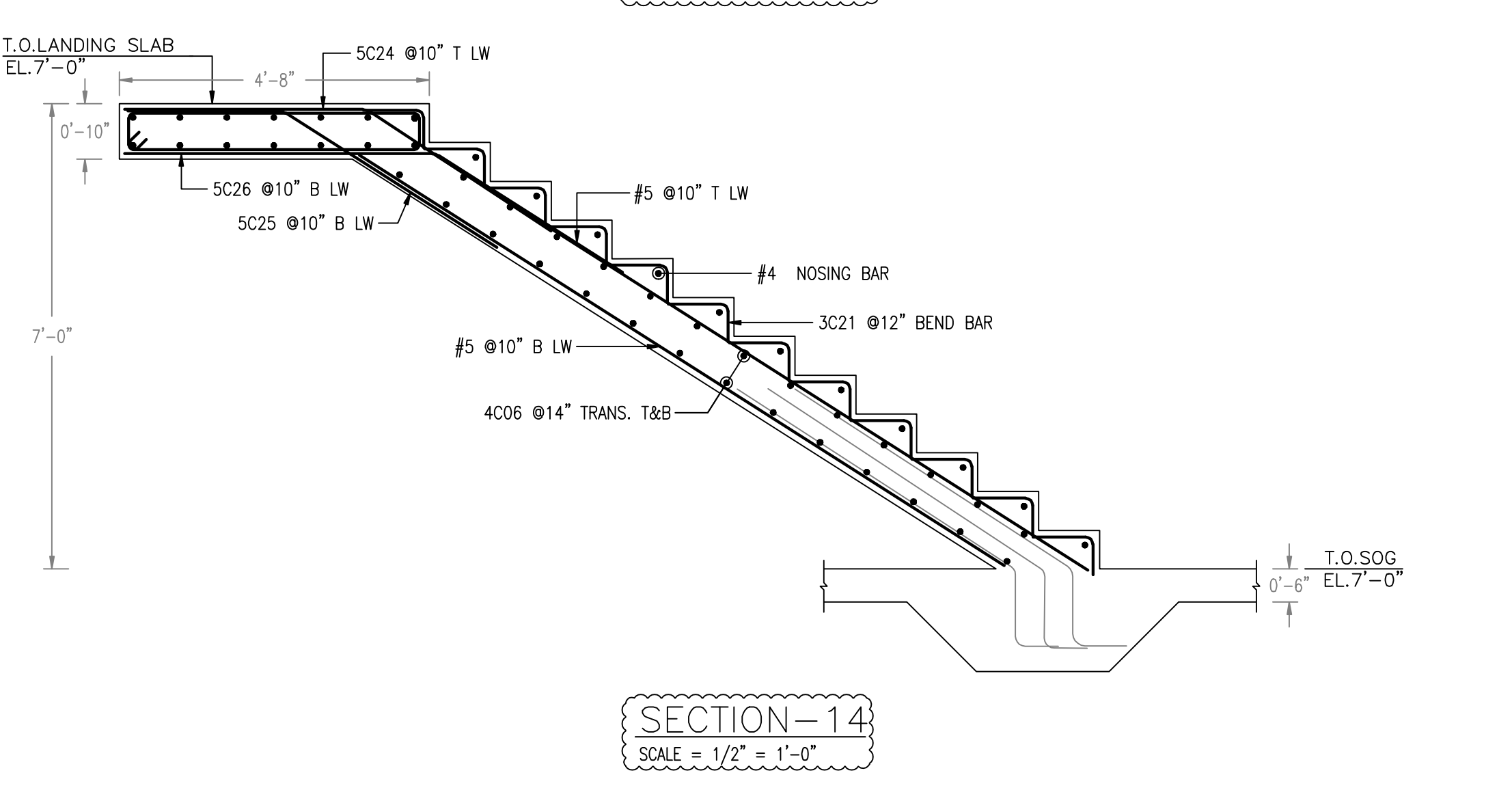
**SECTION-11**  
SCALE = 1/2" = 1'-0"



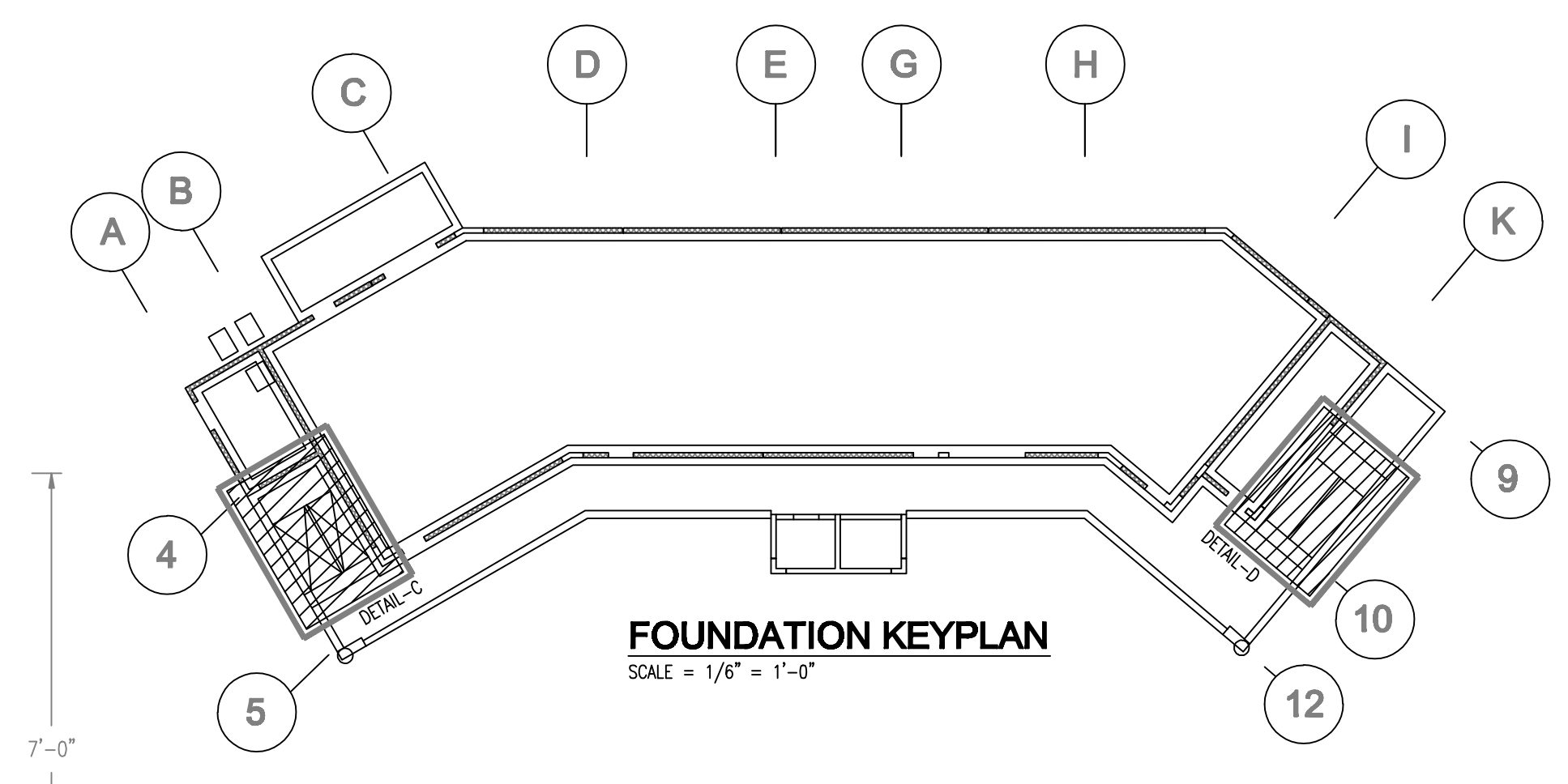
**SECTION-12**  
SCALE = 1/2" = 1'-0"



**SECTION-13**  
SCALE = 1/2" = 1'-0"



**SECTION-14**  
SCALE = 1/2" = 1'-0"



**FOUNDATION KEYPLAN**  
SCALE = 1/8" = 1'-0"

GENERAL NOTES:

COVER

STIRRUPS - 1 1/2"

SLAB - 1"

LAP - 4000 PSI

LAP SCHEDULE FOR STAIR		
SIZE	TOP	OTHERS
#3	25"	19"
#4	32"	25"
#5	40"	31"
#6	48"	37"
#7	70"	54"
#8	80"	62"

A/E/C PLEASE VERIFY COVER & LAP SCHEDULE.

<b>SUB STATUS</b>	<b>SUB DATE</b>
<b>APPROVAL</b>	<b>07.03.2025</b>